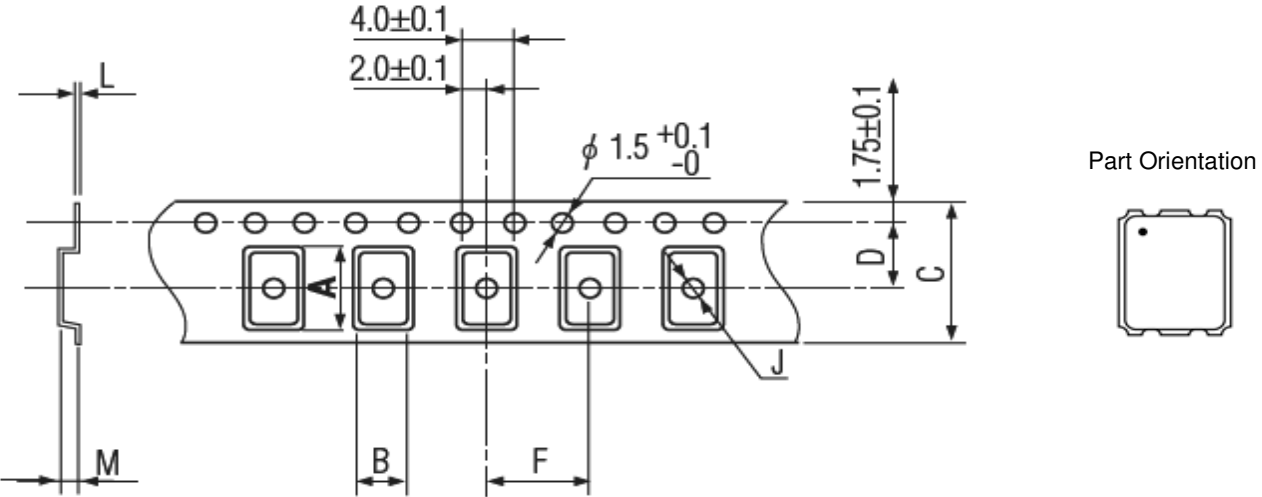


| REVISIONS |             |      |          |
|-----------|-------------|------|----------|
| REV       | DESCRIPTION | DATE | APPROVED |
|           |             |      |          |



| A   | B   | C    | D   | F   | J   | L   | M   | Reel Dia. | Qty/Reel |
|-----|-----|------|-----|-----|-----|-----|-----|-----------|----------|
| 7.5 | 5.5 | 16.0 | 7.5 | 8.0 | 2.0 | 0.3 | 2.2 | 245       | 1000pcs  |

|   |                           |              |
|---|---------------------------|--------------|
| ECS INC. INTERNATIONAL<br>1105 S. Ridgeview<br>Olathe, KS 66062<br>(913) 782-7787 |                           |              |
| TITLE<br>ECS-LVDS25/LVDS33 Tape Specification                                     |                           |              |
| SIZE<br>A   | DWG NO. ECS-LVDS25/LVDS33 | REV<br>-     |
| CAGE CODE: 1G8B7  |                           | SHEET 1 OF 1 |

Dimensions in mm